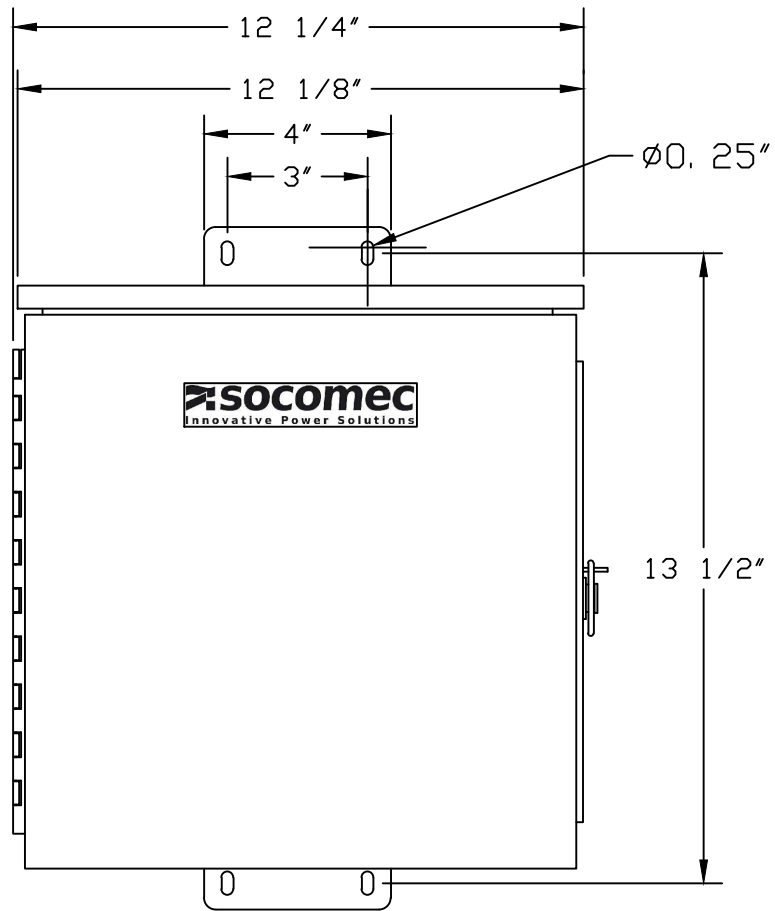
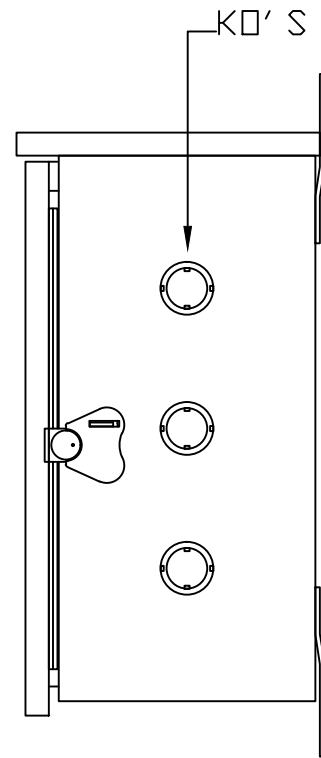


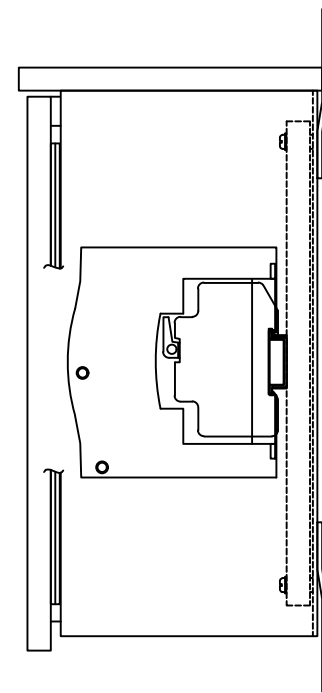
LEFT SIDE VIEW



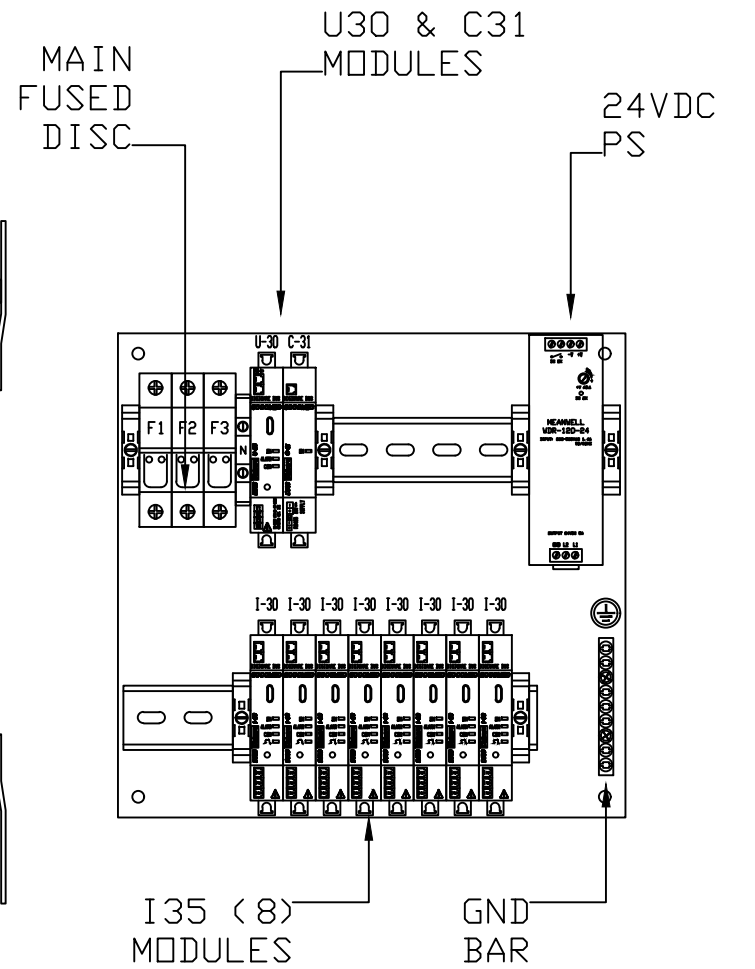
FRONT VIEW



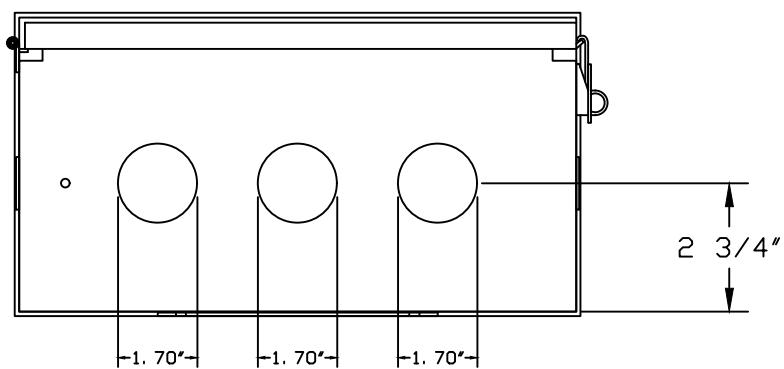
RIGHT SIDE VIEW



RIGHT SIDE VIEW
CUTAWAY



SUBPLATE LAYOUT



BOTTOM VIEW

- NOTES:
 1- TYPE 3R ENCLOSURE.
 2- 14GA STEEL CONSTRUCTION.
 3- POWDER COATED, COLOR ANSI 49 GREY.

PART NUMBER:	DBP08NDO
DESCRIPTION:	U30, C31 MODULES, 8/I-35 MODULES & 24VDC PS
PROJECT:	SOCOMEK METERING PANELS - DIGIBOX-8 STYLE
CUSTOMER:	XXXX
ADDRESS:	XXXX
ADDRESS:	XXXX



DRAWING:	SOCOMEK METERING PANELS - DIGIBOX-8 STYLE - # DBP08NDO
SCALE:	NONE
DATE:	10-5-2017 (REV-0)
DRAWN BY:	LPC
CHECKED BY:	APN
DRAWING #:	SOCOMEK METERING PANELS - DIGIBOX-8 STYLE - # DBP08NDO - M1

REVISIONS	
REV-6	
REV-5	
REV-4	
REV-3	
REV-2	
REV-1	